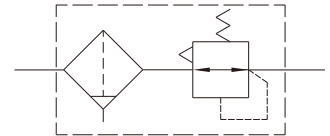


# EAW Series Filter Regulator



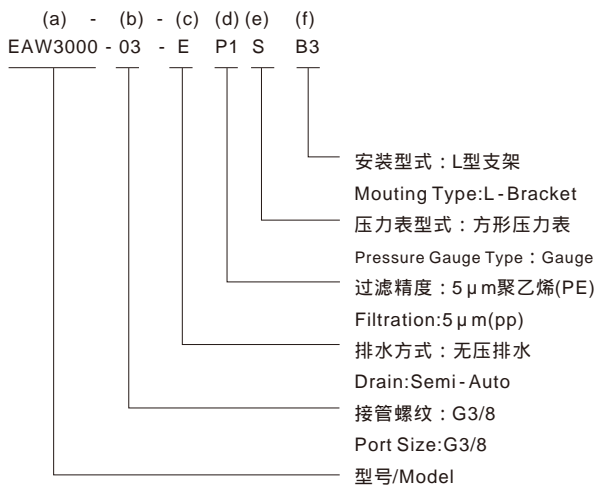
## Symbol



## Specification

型号Model	EAW1000/EAW2000	EEW3000	EAW3000	EAW4000	EAW5000
最高使用压力/ Operating Pressure MPa	1.0				
允许耐压力/ Max Pressure MPa	1.5				
使用温度 / Operating Temperature	0-60				
过滤精度/ Filtration $\mu\text{m}$	5 或40/5 或 40				
设定压力范围/ Set Pressure MPa	0.05-0.85				
溢流压力/ Overflow Pressure MPa	设定压力/ Set Pressure +0.05				
废水储存容量 / Waste Bowl Capacity $\text{cm}^3$	12	40	45	80	150
接管螺纹 / Port Thread G	1/8、1/4	1/4、3/8	1/4、3/8、1/2	3/8、1/2 (1/4配合接头使用 1/4 For reduced joint)	3/4、1
注意事项/ Caution	注：确认系统内没有承受压力之后，再拆卸杯子、杯子护罩； Note: Assemble and disassemble the Plastic bowl and bowl guard when it is confirmed that there's no load in control system.				

## Product Code System



## Filter Regulator

(a) 型号 Model	(b) 接管螺纹 Port Thread	最高使用压力 Operating Pressure (MPa)	调压范围 Set Pressure (MPa)	最大流量/ Max Air Flow * $\text{M}^3/\text{min}$ (ANR)
EAW1000-01	G1/8	1.0	0.05~0.85	0.8
EAW2000-02	G1/4			1.2
EEW3000-02	G1/4			2
EEW3000-03	G3/8			2.25
EAW3000-02	G1/4			2.2
EAW3000-03	G3/8			2.5
EAW3000-04	G1/2			3.0
EAW4000-03	G3/8			3.5
EAW4000-04	G1/2			4.5
EAW4000-06	G3/4			5.0
EAW5000-06	G3/4	5.0		
EAW5000-10	G1	5.0		

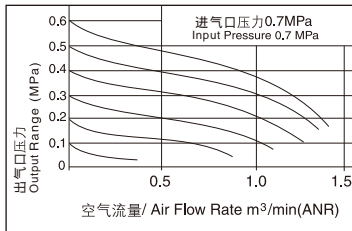
Operating temperature range: 0-60  
\* At 0.7MPa supply pressure, 0.5MPa set pressure, 0.1 Mpa pressure drop

## Combination

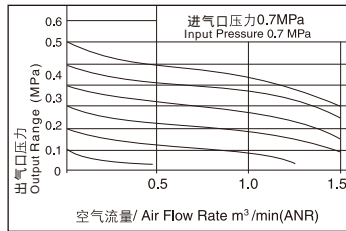
(a) 型号 Model	(b) 接管螺纹 Port Thread		(c) 排水方式 Drain		(d) 过滤精度 Filtration		(e) 压力表型式 Pressure Gauge Type		(f) 安装型式 Mounting Type	
EAW1000	01	G1/8	空白 Blank	手动排水 Manual	P1	5 μm 聚乙烯 (PE)	空白 Blank	无压力表 Without Gauge	空白 Blank	不带支架 Without Bracket
EAW2000	02	G1/4								
EEW3000	02	G1/4	E	无压排水 Semi - Auto	P2	40 μm 聚乙烯 (PE)	S	GS-27 方形压力表/Square	B3	L型支架 L - Bracket
	03	G3/8								
EAW3000	02	G1/4	空白 Blank	手动排水 Manual	P3	5 μm 烧结铜 (CU)	R1	GR-40 圆形压力表/Round	B	C型支架 C - Bracket
	03	G3/8								
	04	G1/2								
EAW4000	03	G3/8	E	无压排水 Semi - Auto	P4	40 μm 烧结铜 (CU)	R1	GR-40 圆形压力表/Round	B	C型支架 C - Bracket
	04	G1/2								
	06	G3/4								
EAW5000	06	G3/4	A	自动排水 Auto	P4	40 μm 烧结铜 (CU)	空白 Blank	无压力表 Without Gauge	B3	L型支架 L - Bracket
	10	G1								

## Flow Diagrams

EAW1000-01

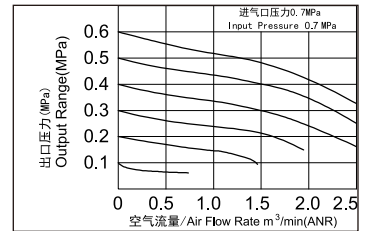


EAW2000-02

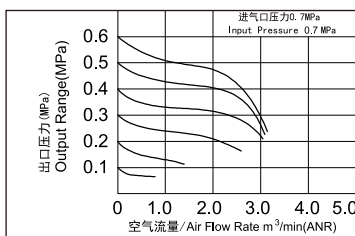


EEW3000-02

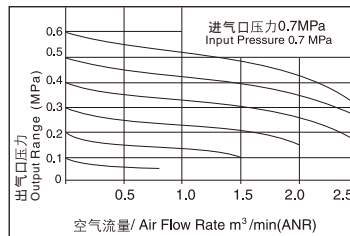
EEW3000-02



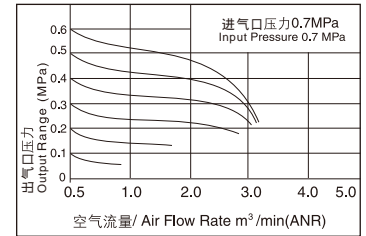
EEW3000-03



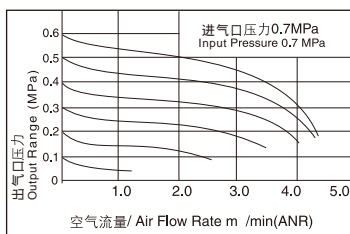
EAW3000-02



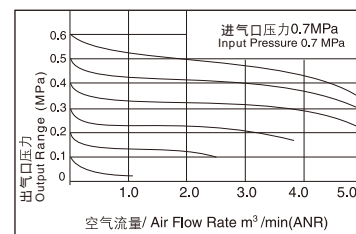
EAW3000-03



EAW4000-03



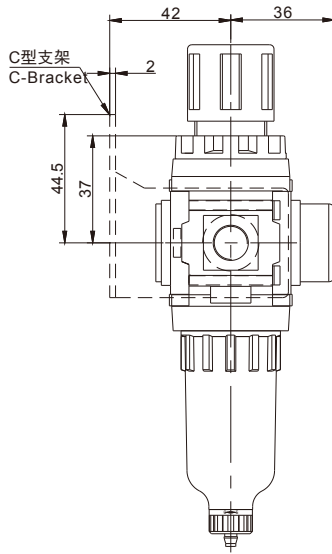
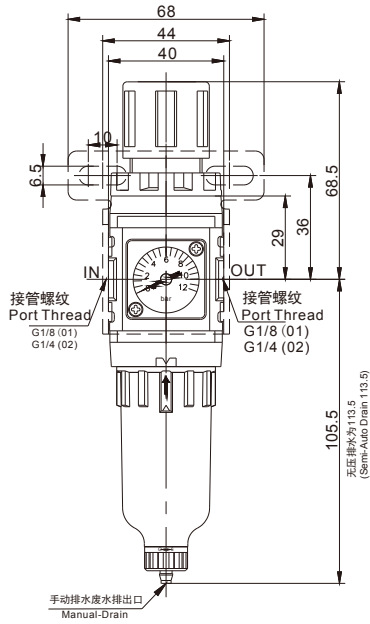
EAW4000-04



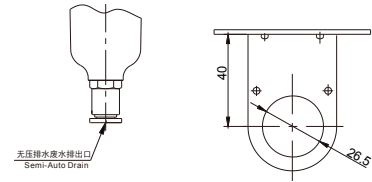
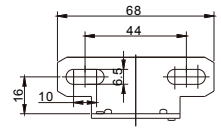
# Dimensions

EAW1000

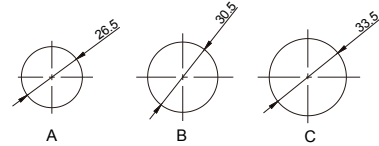
EAW2000



L型支架安装孔  
L-Bracket Mounting Hole

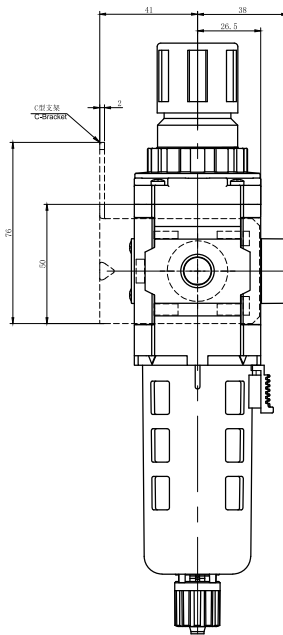
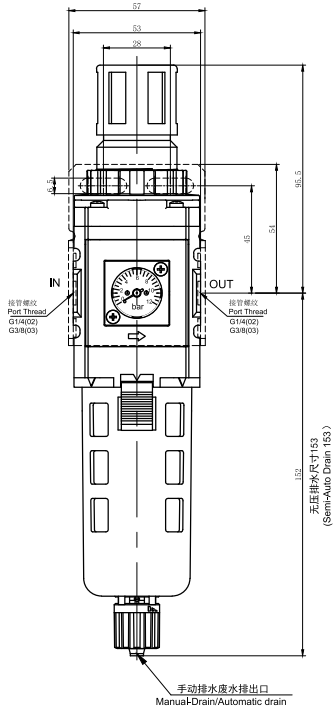


适用于面板安装孔  
Kneading board

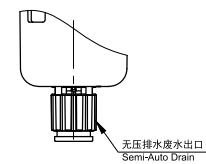
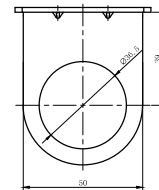
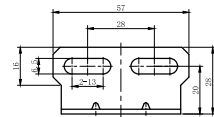


Note: Manual drain can insert ID 4 PU tube at drain outlet. Semi-Auto drain can insert OD 6 PU tube at drain outlet.

EEW3000



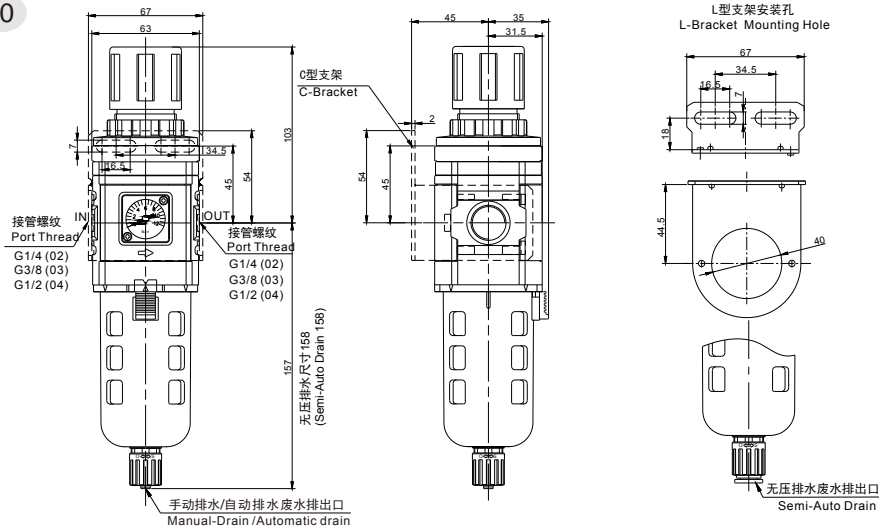
C型支架安装孔  
C-Bracket Mounting Hole



Note: Manual drain can insert ID 4 PU tube at drain outlet. Semi-Auto drain can insert OD 6 PU tube at drain outlet.

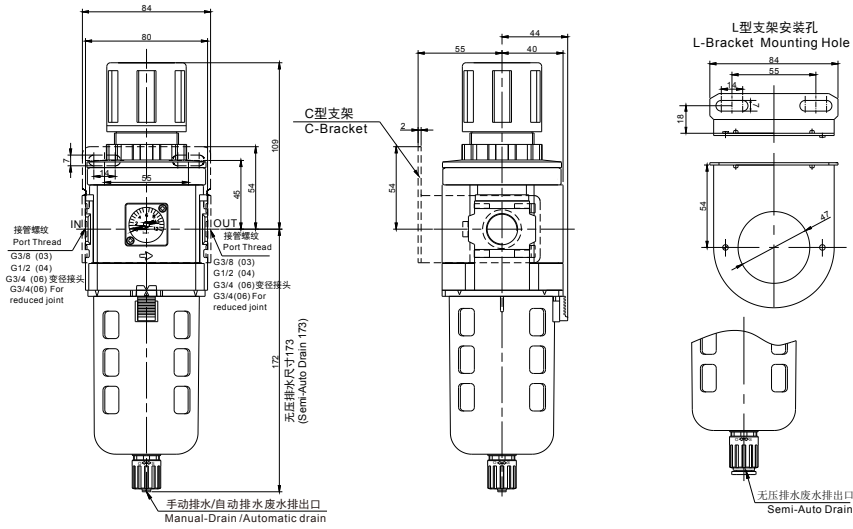
## Dimensions

### EAW3000



Note: Manual drain or automatic drain can insert ID 5.5 PU tube at drain outlet. Semi - Auto drain can insert OD 8 PU tube at drain outlet.

### EAW4000



Note: Manual drain or automatic drain can insert ID 5.5 PU tube at drain outlet. Semi - Auto drain can insert OD 8 PU tube at drain outlet.

### EAW5000

